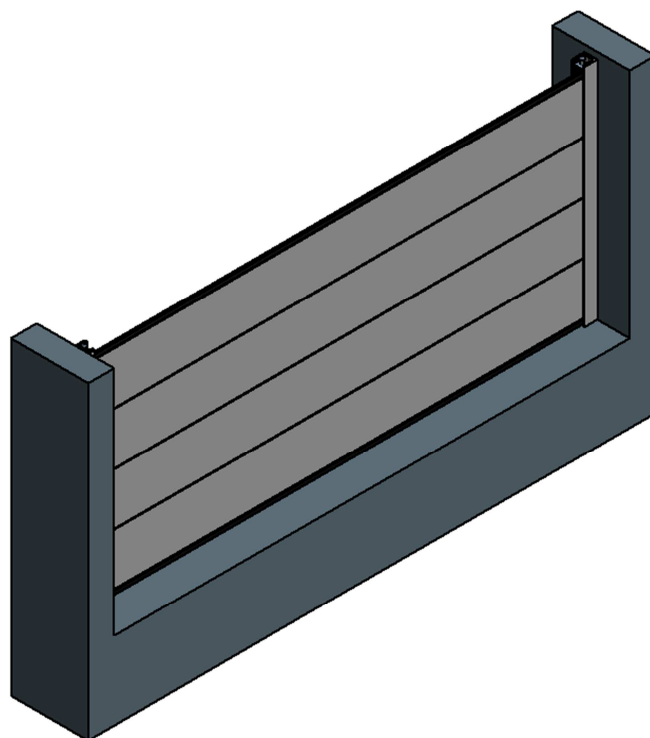


Product Catalogue

HW-B25SL

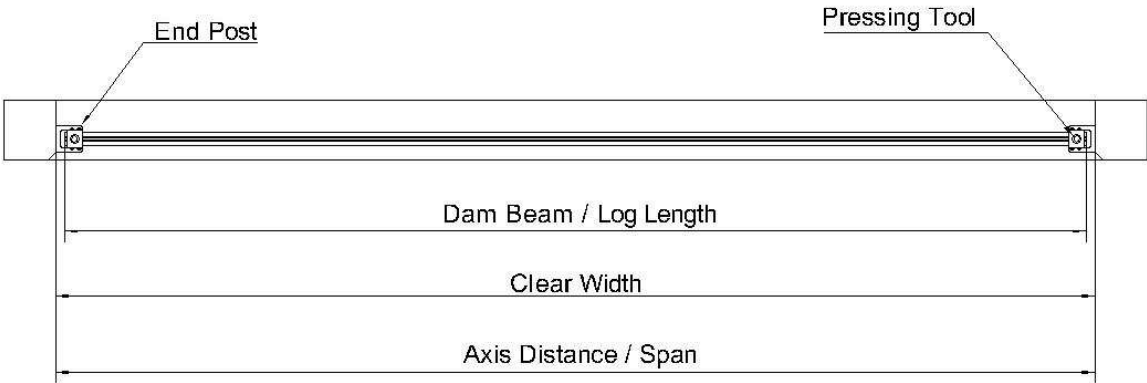
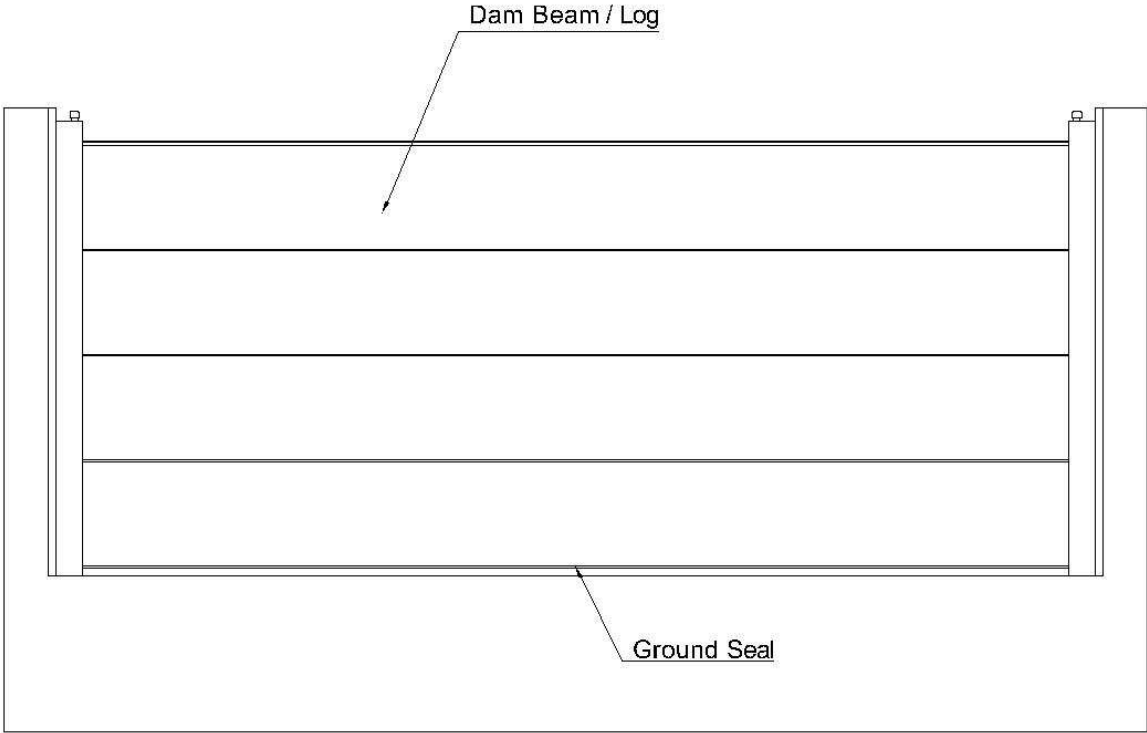


Content

1	Definition of Terms.....	3
1.1	Flood Barrier HW-B25SL-T08	3
1.2	Flood Barrier HW-B25SL-T16	4
1.3	Flood Height, effective Flood Height, Post Height	5
2	System Components.....	6
2.1	End Post E25SL.....	6
2.2	Cover for End Post AD25SL.....	7
2.3	Dam Beam/Logs	8
2.4	seals	11
2.4.1	Ground Seal BD25SL.....	11
2.4.2	Dam Beams/Logs, End Posts.....	12
2.5	Pressing Tool	13
3	Equipment	14
3.1	Tools	14
3.2	Extracting Tool	15
4	End Post – Mounting Types	16
4.1	Mounting Types – Side Wall Mounted	16
4.2	Mounting Types Wall mounted on-seating.....	17
4.2.1	Type 16 wall mounted on-seating – E25SL T16-R / L – Post Height	17

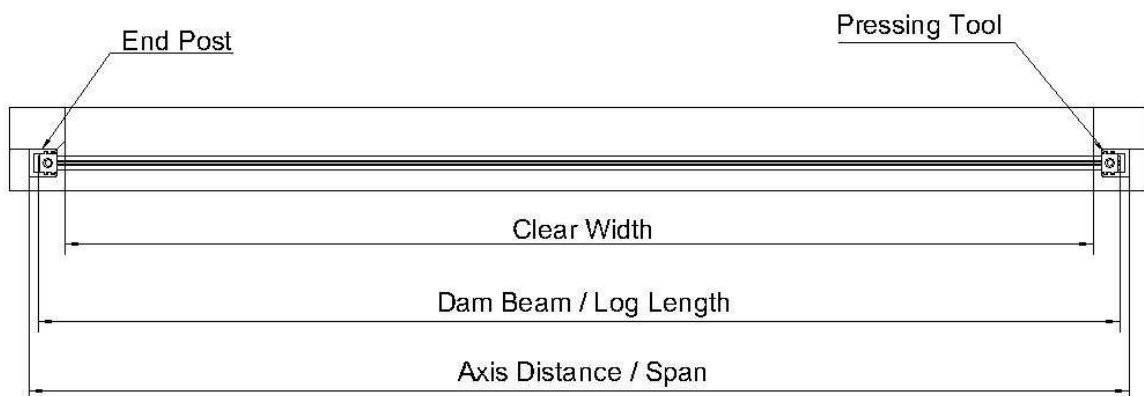
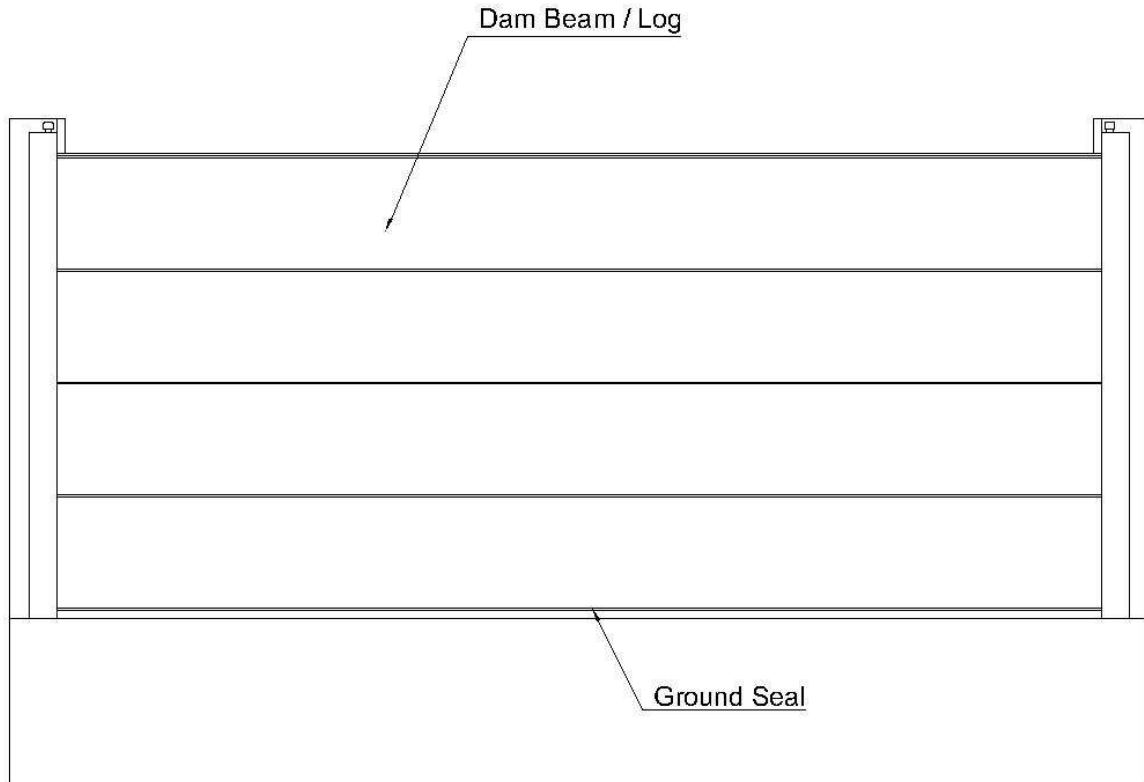
1 Definition of Terms

1.1 Flood Barrier HW-B25SL-T08



Dam Beam Length = Axis Distance - 36mm

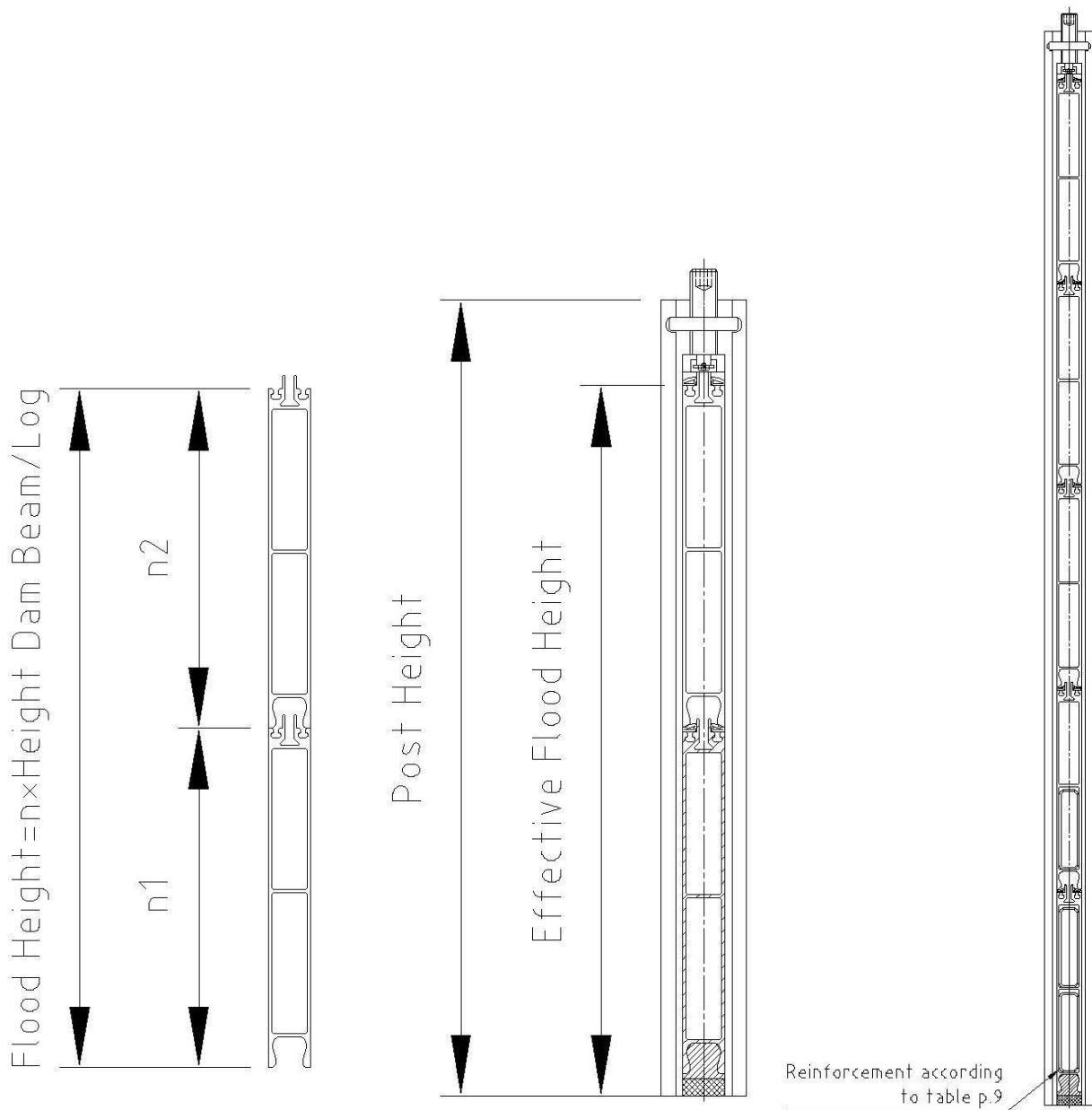
1.2 Flood Barrier HW-B25SL-T16



Dam Beam Length = Clear Width + 114mm

Axis Distance = Clear Width + 150mm

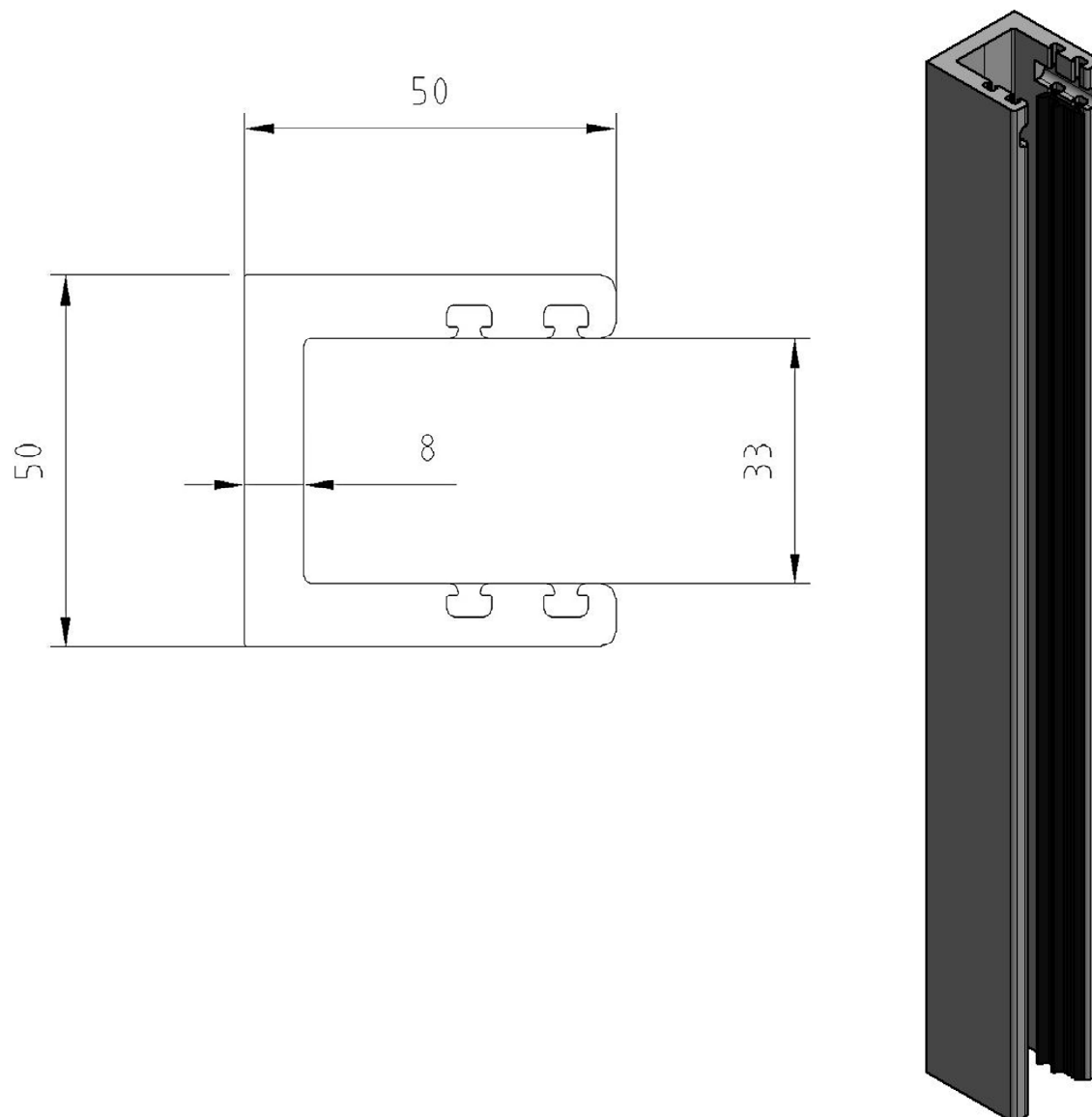
1.3 Flood Height, effective Flood Height, Post Height



DBAL25x200-2,0			
NUMBER OF DAM BEAMS/LOGS	FLOOD HEIGHT [MM]	EFFECTIVE FLOOD HEIGHT [MM]	POST HEIGHT [MM]
1	200	210	263
2	400	412	466
3	600	614	669
4	800	816	872
5	1000	1018	1075

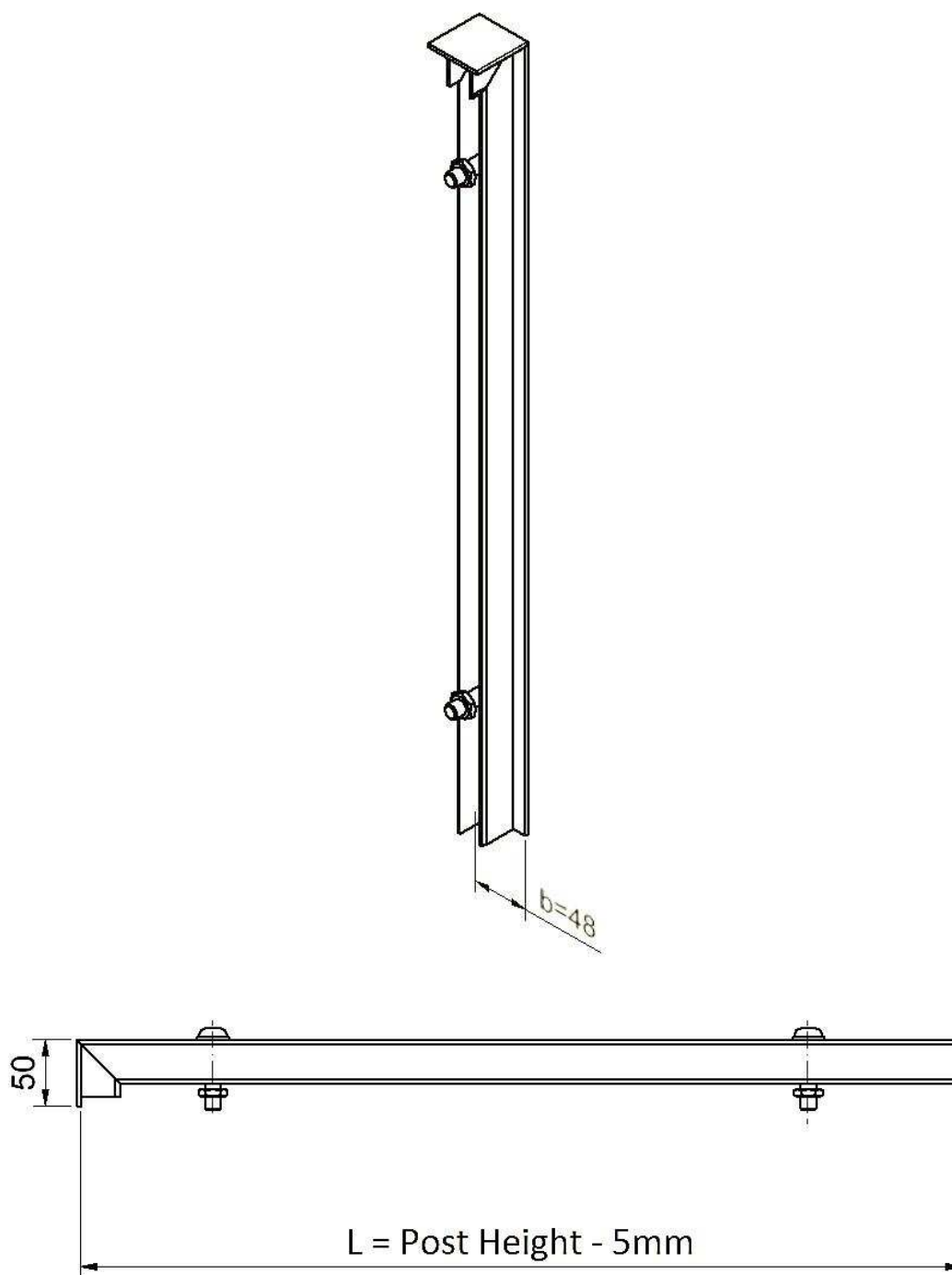
2 System Components

2.1 End Post E25SL



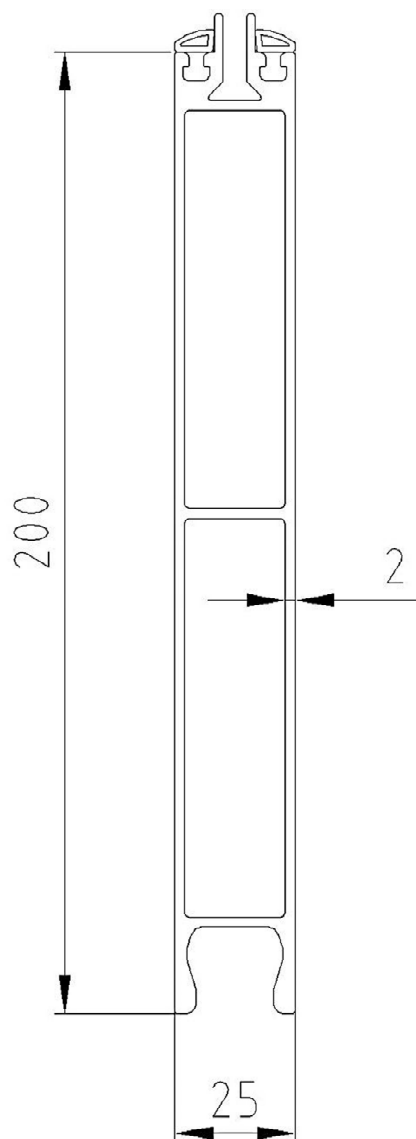
PROFILE CHARACTERISTICS		
Height	mm	50
Width	mm	50
Thickness	mm	8
Weight per linear m	kg/m	2,75
Material	-	EN AW-6063-T66

2.2 Cover for End Post AD25SL



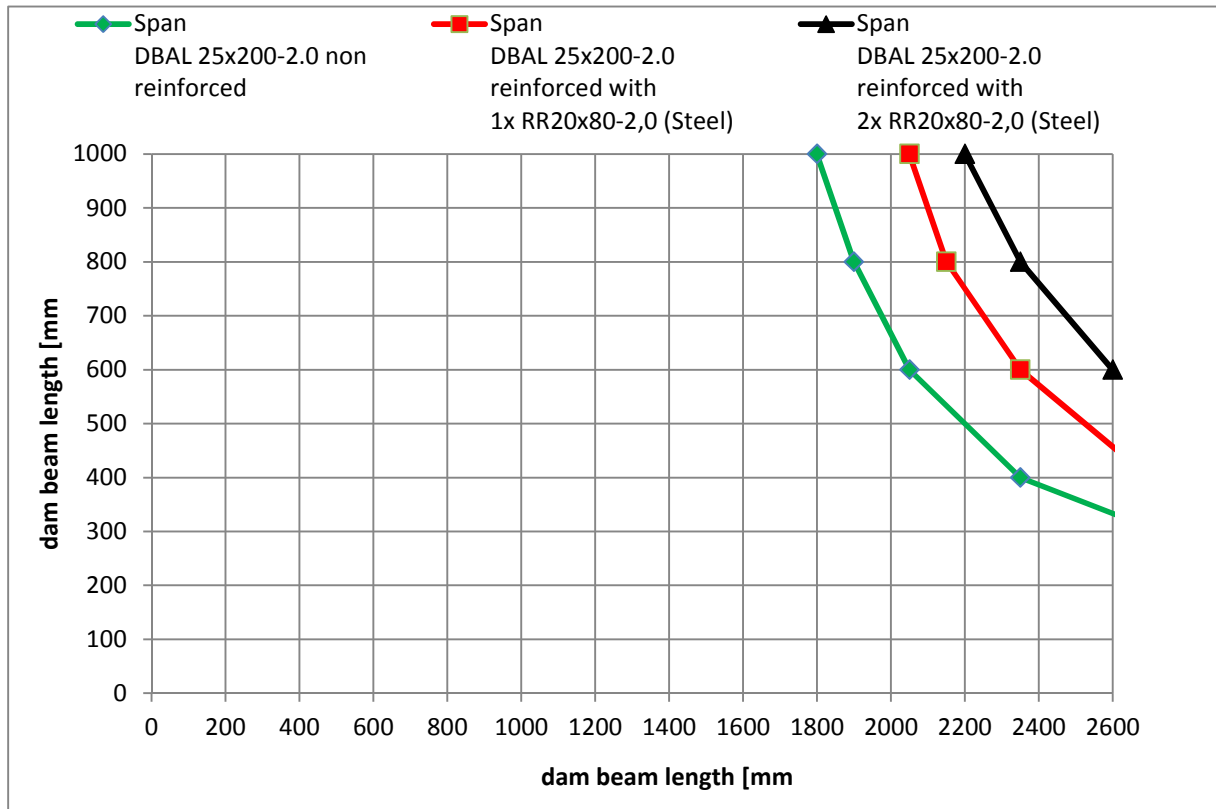
LEGEND	
L	Cover Length
b	Cover Width [mm]
Material	EN AW-6063-T66

2.3 Dam Beam/Logs
 DBAL25x200-2.0



PROFILE CHARACTERISTICS		
Height	mm	200
Width	mm	25
Thickness	mm	2
Weight per linear m	kg/m	3,0
Material	-	EN AW-6063-T66

Deflection Graph DBAL25x200-2.0



RR=Rectangular Tube

O = without Tube

Flood Height [1000 mm]						
		Clear Width [mm]				
		1800	2000	2200		
top	DB5	O	O	O		
	DB4	O	O	O		
	DB3	O	O	1x RT		
	DB2	O	1x RT	2x RT		
bottom	DB1	O	1x RT*	2x RT*		

Flood Height [800 mm]						
		Clear Width [mm]				
		1800	2000	2200	2400	
top	DB4	O	O	O	O	
	DB3	O	O	O	O	
	DB2	O	O	1x RT	1x RT	
bottom	DB1	O	1x RT	2x RT	2x RT	

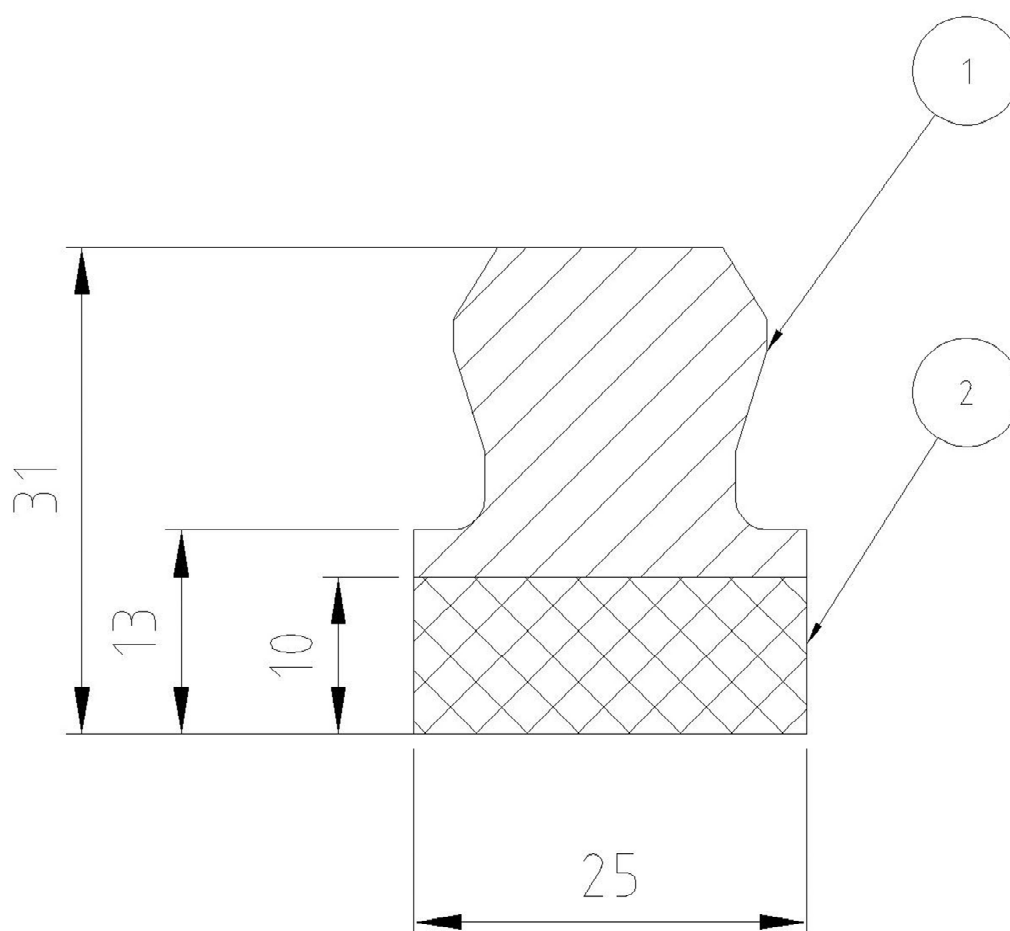
Flood Height [600 mm]						
		Clear Width [mm]				
		1800	2000	2200	2400	2600
top	DB3	O	O	O	O	O
	DB2	O	O	O	O	1x RT
bottom	DB1	O	O	1x RT	1x RT	2x RR

Flood Height [400 mm]						
		Clear Width [mm]				
		1800	2000	2200	2400	2600
top	DB2	O	O	O	O	O
bottom	DB1	O	O	O	O	1x RT

Flood Height [200 mm]						
		Clear Width [mm]				
		1800	2000	2200	2400	2600
	DB1	O	O	O	O	O

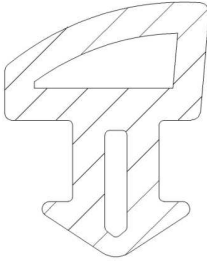
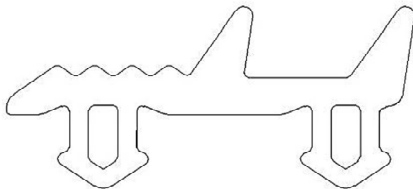
2.4 seals

2.4.1 Ground Seal BD25SL



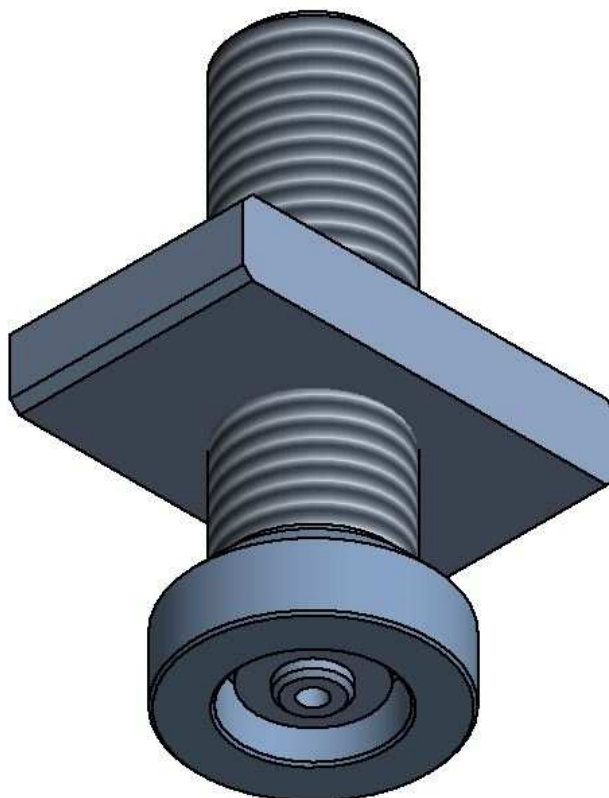
LEGEND	
Material Pos 1	TPE 60° Shore A
Material Pos 2	TherMoos
Weight per linear m	0,5 kg/m

2.4.2 Dam Beams/Logs, End Posts

<p>Dam Beam / Log Clamping Seal</p>	
<p>Post Seal</p>	

<p>LEGEND</p>	
<p>Material</p>	<p>Ethylene Propylene Diene Monomer rubber (EPDM)</p>

2.5 Pressing Tool
VS25SL



LEGEND	
Material	Stainless Steel, Grade.: SS 304

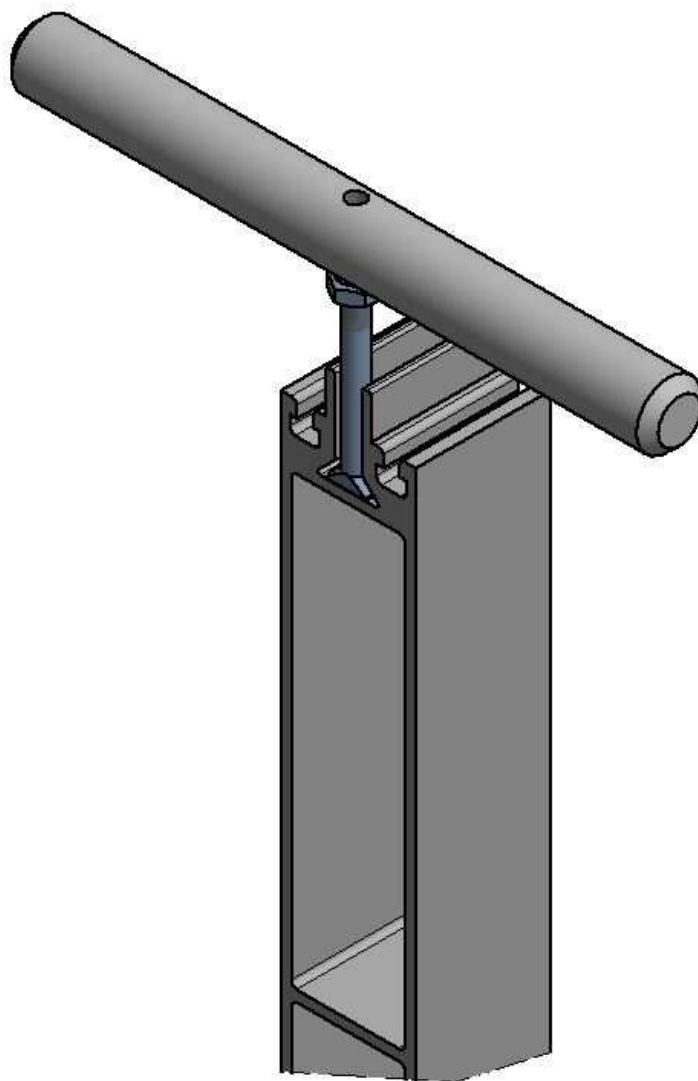
3 Equipment

3.1 Tools



System	Usage	Tool
HW-W25SL	Pressing Tool	Hexagon socket screw key SW 8mm
HW-W25SL	Cover	Hexagon socket screw key SW 8mm

3.2 Extracting Tool
 AW25SL

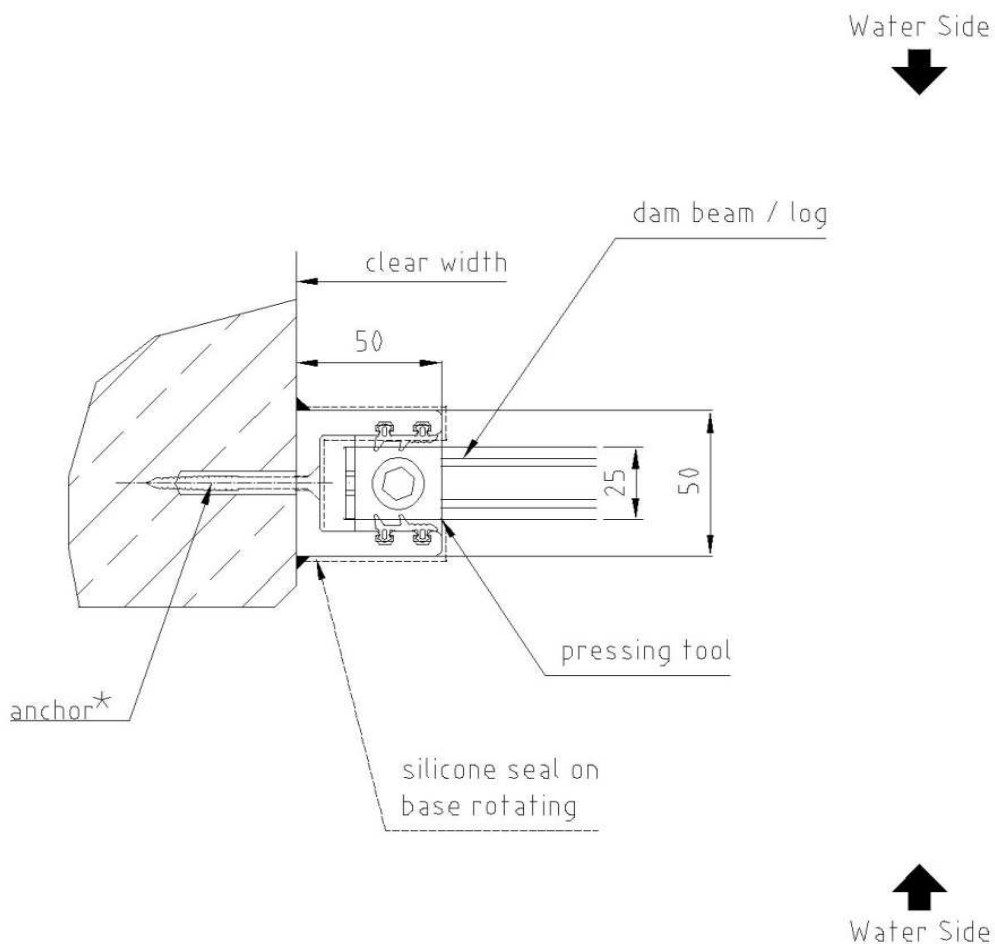


Tool	Usage/Log
AW25-8	Dam Beam DBAL 25x200-2.0

4 End Post – Mounting Types

4.1 Mounting Types – Side Wall Mounted

Type 8 side wall mounted – E25SL T08-Post Height

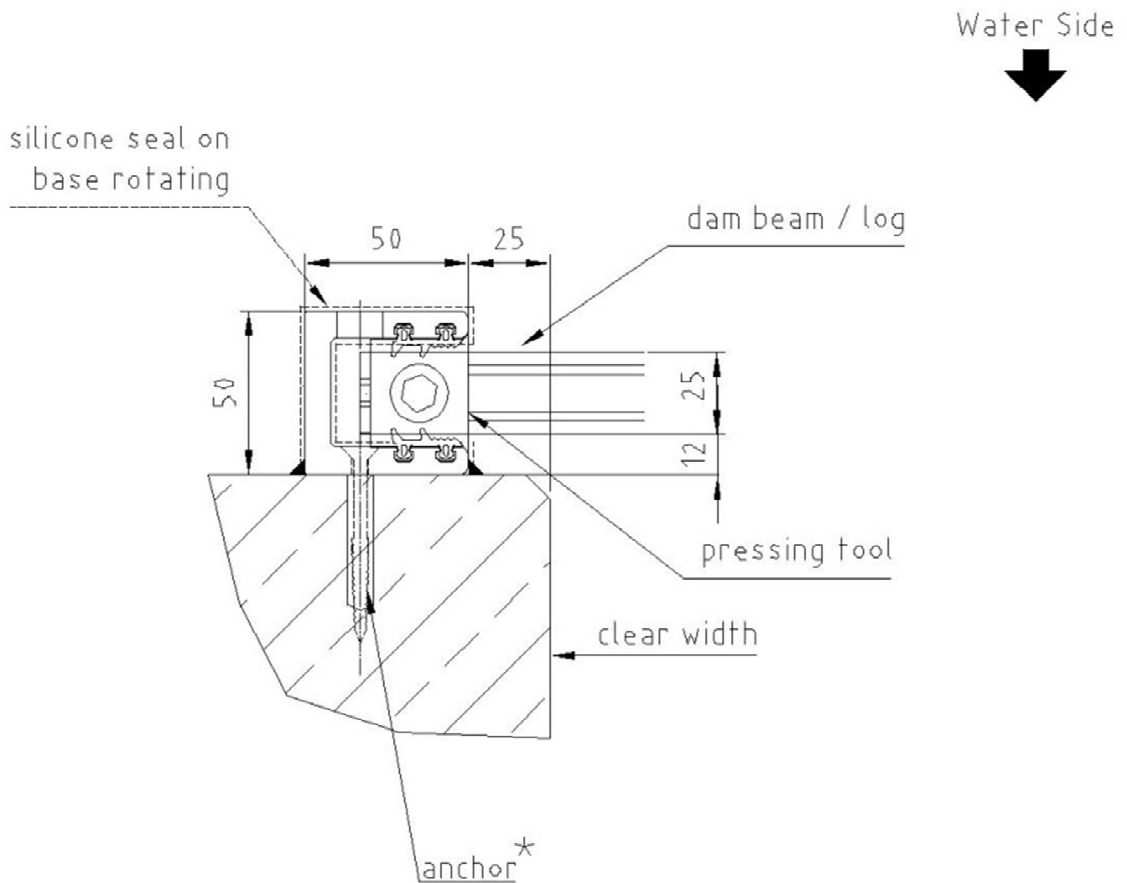


Dimensioning				
Wall	Area	Height	Width	Anchorage
Concrete	0-2,4 m ²	As per Table p.9		Fischer FBS 8 x 80/15 -Sk A4*
Full Brick	0-2,4 m ²			Fast curing mortar HFX, Sleeve HIT IC M8x80, Countersunk Head Screw M8x30 ISO10642/DIN7991*
Perforated Brick	0-1,6 m ²			Fast curing mortar HFX, Sleeve HIT IC M8x80, Screen Tube HIT SC16x85, Countersunk Head Screw M8x30 ISO10642/DIN7991*

*The selection of the anchorage is according to wall texture and mounting position specified by others. Consider the assembly instructions of the fixing systems

4.2 Mounting Types Wall mounted on-seating

4.2.1 Type 16 wall mounted on-seating – E25SL T16-R / L – Post Height



Dimensioning				
Wall	Area	Height	Width	Anchorage
Concrete	0-2,4 m ²	As per Table p.9		Fischer SX 8 x 40, Wooden Screw 6x 60 SS 304* Countersunk Head *
Full Brick	0-2,4 m ²			Fischer SX 8 x 40, Wooden Screw 6x 60 SS 304* Countersunk Head *
Perforated Brick	0-2,4 m ²			Fischer SX 8 x 40, Wooden Screw 6x 60 SS 304* Countersunk Head *

*The selection of the anchorage is according to wall texture and mounting position specified by others. Consider the assembly instructions of the fixing systems

Contact:

IBS Technics GmbH
Am Gemeindewald 6
86672 Thierhaupten
Germany

Tel: +49 8271 – 8176-0

Fax: +49 8271 – 8176-76

www.ibs-technics.de

info@ibs-technics.de